



MH733

BenQ Projector

Features

- 4000 ANSI Lumens High Brightness
- 16000 : 1 High Contrast Ratio
- Full HD 1080p Resolution
- Up to 15,000 Hours Long Lamp Life
- USB Reader for Presentations without PC
- Network Connectivity / LAN Control Compatibility



Product Specifications

Projection System	DLP Single 0.65" Full HD	
DMD Type	DC3 DMD chip	
Native Resolution	1920 x 1080 pixels, 16:9	
Brightness	4000 ANSI Lumens	
Contrast Ratio*	16000 : 1	
Display Color	1.07 Billion Colors	
Aspect Ratio	Native 16 : 9 (5 aspect ratios selectable)	
Light Source	Lamp (240W)	
Light Source Life**	4000 / 8000 / 8000 / 15000 hours (Normal / Eco / SmartEco / Lampsave Mode)	
Throw Ratio	1.15~1.5	
Zoom Ratio	1.3 x	
Lens Control	Manual Zoom and Focus	
Keystone Correction	2D keystone, Vertical ± 30 & Horizontal ± 20 degrees, Auto Vertical keystone	
Projection Offset	105%±2.5% (Full-Height)	
Projection Size	30"~300" (Clear Image Size: 60"~180")	
Built-in Speaker	10W x 1	
Security	Kensington Lock, Security Bar	
Feature	2D Keystone, Auto Vertical keystone, Corner Fit, USB Reader, LAN Control, AMX / PJ Link / Crestron / Extron IPL Compatible, MDA Compatibility, LAN Display, Optional Wireless Display, Split Screen, Supports Meeting / Classroom Collaboration via QCast Software (Conference Control).	
Compatibility	Resolution Support	VGA (640 x 480) to WUXGA_RB (1920 x 1200)
	Horizontal Frequency	15~102KHz
	Vertical Scan Rate	23 ~ 120 Hz
	HDTV Compatibility	480i, 480p, 576i, 567p, 720p, 1080i, 1080p
	Video Compatibility	NTSC, PAL, SECAM
	3D Compatibility	Frame Packing, Frame Sequential, Side by Side, Top Bottom
Power	Power Consumption (Max / Normal / Eco)	355W / 320W / 240W
	Standby Power Consumption	Normal < 0.5W, Network < 2W
	Power Supply	100 ~ 240V AC
Product Dimensions (W x H x D)	296 x 120 x 221 mm	
Product Weight	2.5 kg	
Noise Level (Normal / Eco)	33 / 29 dB(A)	
Operating Temperature	0 ~ 40°C	
Accessories	Standard	Power Cord (by region, 1.8m) Remote Control (RCE013) AAA Battery x 2 VGA Cable (1.8m) Warranty Card (by region) Quick Start Guide (4JJGR01.001) User Manual CD (5BJGR01.001) Lens Cover
	Optional	Spare Lamp Kit (5JJGT05.001) 3D Glasses (5JJ9H25.002) Wireless Dongle: WDR0192 USB Dongle (5JJ3F28.X01) Wireless Dongle: QCast Mirror (5AJH328.10X) Wireless Dongle: QCast (5JJCK28.X01) Ceiling Mount
On Screen Display Language	Arabic / Bulgarian / Croatian / Czech / Danish / Dutch / English / Finnish / French / German / Greek / Hindi / Hungarian / Italian / Indonesian / Japanese / Korean / Norwegian / Polish / Portuguese / Romanian / Russian / Simplified Chinese / Spanish / Swedish / Turkish / Thai / Traditional Chinese / Vietnamese / Farsi (30 Languages)	

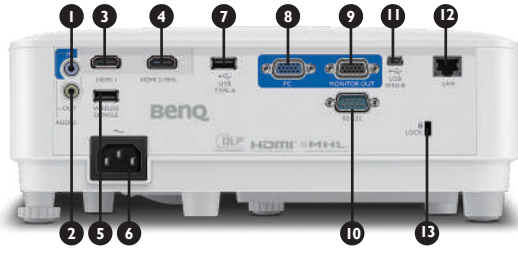
* The Contrast is measured by Full On Full Off standard.

** Light Source life results will vary depending on environmental conditions and usage. Actual product's features and specifications are subject to change without notice.

*** Storage: Temperature: -20~60°C; Humidity: 10~90%RH (without condensation).

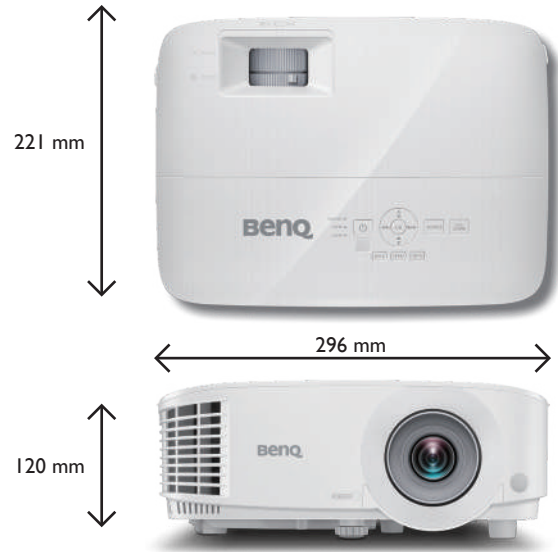


Input and Output Terminals

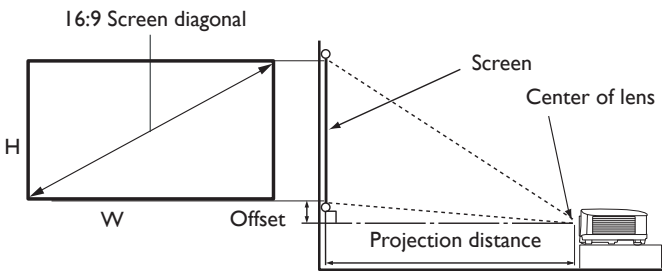


- ❶ Audio Input (mini jack)
- ❷ Audio Output (mini jack)
- ❸ HDMI-I
- ❹ HDMI-2 / MHL
- ❺ USB TypeA (for Wireless Dongle)
- ❻ AC power cord inlet
- ❼ USB TypeA (for USB reader)
- ❽ PC (D-sub 15pin)
- ❾ Monitor Output (D-sub 15pin, Female)
- ❿ RS232 Input (D-sub 9pin, male)
- ⓫ USB (Type mini B)
- ⓬ LAN Port (RJ45 for Network)
- ⓭ Kensington anti-theft lock slot

Dimensions



Distance Chart

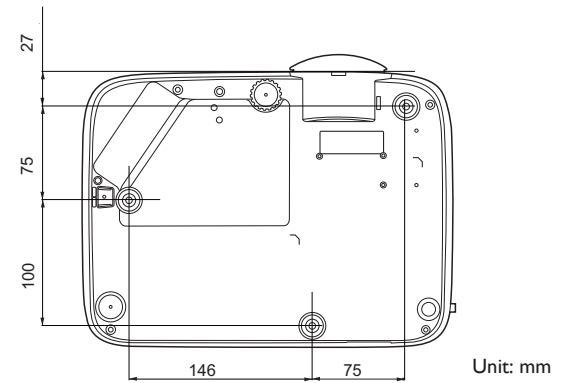


The screen and the projected picture have a 16:9 aspect ratio

Screen size				Projection distance (mm)			Offset (mm)
Diagonal	H	W	Min distance	Average	Max distance		
Inch	mm	(mm)	(mm)	(max. zoom)	(min. zoom)	(min. zoom)	
30	762	374	664	764	880	996	19
35	889	436	775	891	1027	1162	22
40	1016	498	886	1018	1173	1328	25
50	1270	623	1107	1273	1467	1660	31
60	1524	747	1328	1528	1760	1992	37
70	1778	872	1550	1782	2053	2324	44
80	2032	996	1771	2037	2347	2657	50
90	2286	1121	1992	2291	2640	2989	56
100	2540	1245	2214	2546	2933	3321	62
110	2794	1370	2435	2800	3227	3653	68
120	3048	1494	2657	3055	3520	3985	75
130	3302	1619	2878	3310	3813	4317	81
140	3556	1743	3099	3564	4107	4649	87
150	3810	1868	3321	3819	4400	4981	93
160	4064	1992	3542	4073	4693	5313	100
170	4318	2117	3763	4328	4987	5645	106
180	4572	2241	3985	4583	5280	5977	112
200	5080	2491	4428	5092	5867	6641	125
250	6350	3113	5535	6365	7333	8302	156
300	7620	3736	6641	7638	8800	9962	187

Ceiling Mount Chart

Ceiling/Wall mount screw: M4
(Max L = 25 mm; Min L = 20 mm)



BenQ Europe B.V.

Meerenakkerweg 1-17
5652 AR Eindhoven
The Netherlands
Tel: +31 88 8889200
Fax: +31 88 8889299

BenQ.eu

© 2021 BenQ Corp. Specification may vary by region, please visit your local stores for details.
Actual product's features and specifications are subject to change without notice.
This material may include corporate names and trademarks of third parties which are the properties of the third parties respectively.

